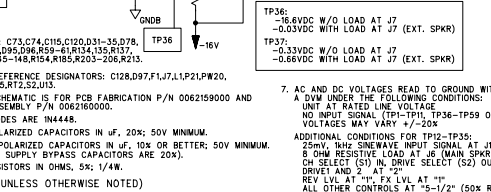
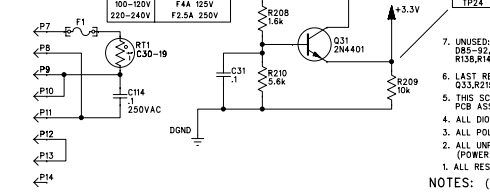
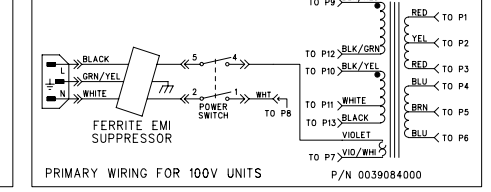
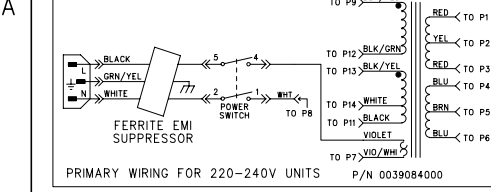
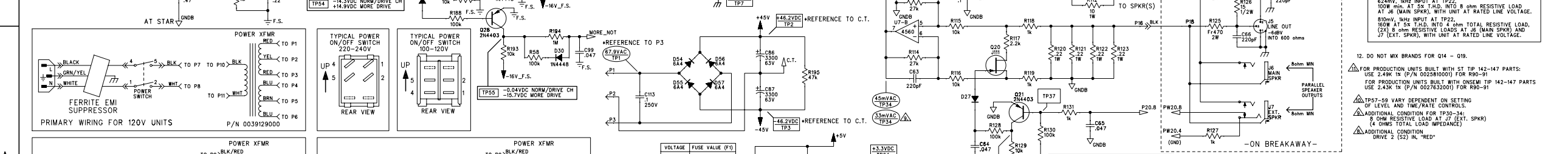
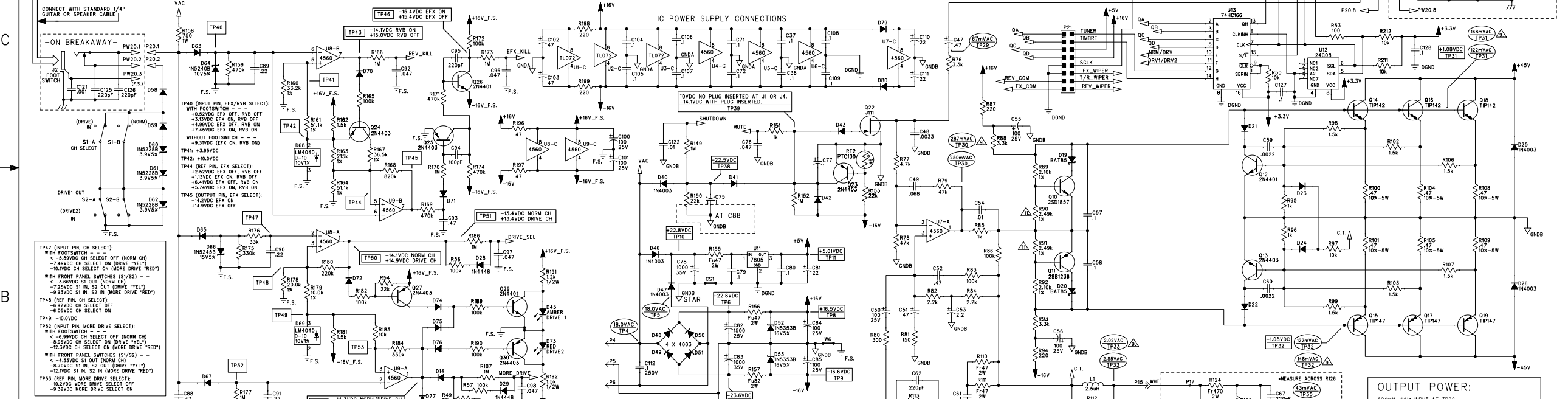
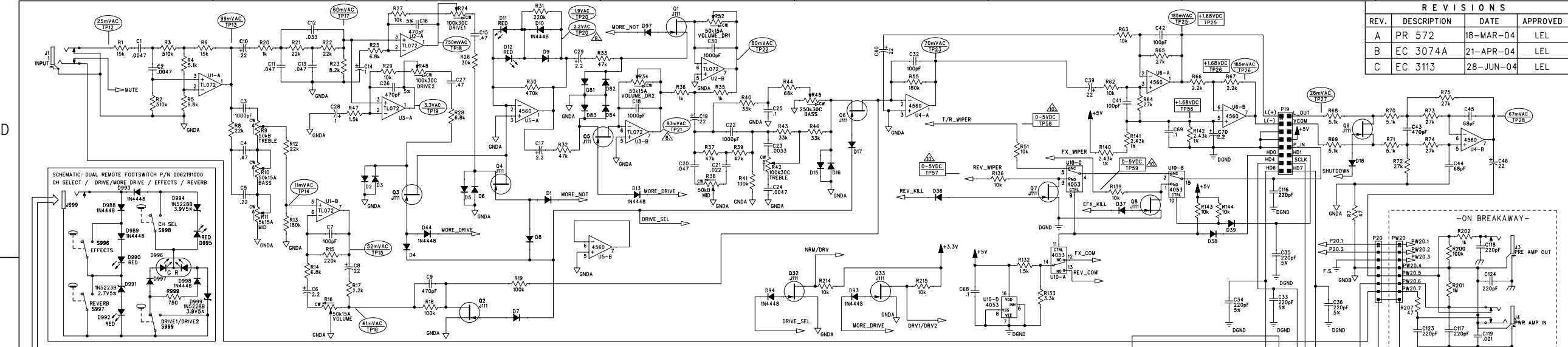


REVISIONS			
REV.	DESCRIPTION	DATE	APPROVED
A	PR 572	18-MAR-04	LEL
B	EC 3074A	21-APR-04	LEL
C	EC 3113	28-JUN-04	LEL



NOTES: (UNLESS OTHERWISE NOTED)

- UNUSED: C73,C74,C15,C10,C20,D31-35,D78, D85-12,D95,D96,D99-104,R134,R137, R138,R145-148,R154,R185,R203-206,R215.
- LAST REFERENCE DESIGNATORS: C128,D97,F17,L1,P2,LPW20, C33,R75,RT2-32,33.
- THIS SCHEMATIC IS FOR PCB FABRICATION P/N 0062159000 AND PCB ASSEMBLY P/N 002160000.
- ALL DIODES ARE 1N4448.
- ALL POLARIZED CAPACITORS IN μ F, 20% 50V MINIMUM.
- ALL UNPOLARIZED CAPACITORS IN μ F, 10% OR BETTER; 50V MINIMUM. (POWER SUPPLY BYPASS CAPACITORS ARE 20%).
- ALL RESISTORS IN OHMS, 5% 1/4W.

7. AC AND DC VOLTAGES READ TO GROUND WITH A DMM UNDER THE FOLLOWING CONDITIONS:
 UNIT AT RATED LINE VOLTAGE
 NO INPUT SIGNAL (TP1-TP11, TP36-TP59 ONLY)
 VOLTAGES MAY VARY +/-20%
 ADDITIONAL CONDITIONS FOR TP12-TP35:
 25mV, 1kHz SINEWAVE INPUT SIGNAL AT J1
 8 OHM RESISTIVE LOAD AT J6 (MAIN SPKR)
 CH SELECT (S1) IN, DRIVE SELECT (S2) OUT, "YELLOW"
 DRIVE LVL AT "1", FX LVL AT "1"
 ALL OTHER CONTROLS AT "5-1/2" (50% ROTATION)

OUTPUT POWER:
 624mV, 1kHz INPUT AT TP22,
 100W min. AT 8 Ω T.L.D. INTO 8 ohm RESISTIVE LOAD
 AT J6 (MAIN SPKR), WITH UNIT AT RATED LINE VOLTAGE.
 810mV, 1kHz INPUT AT TP22,
 50W min. AT 8 Ω T.L.D. INTO 8 ohm TOTAL RESISTIVE LOAD,
 (2x) 8 ohm RESISTIVE LOADS AT J6 (MAIN SPKR) AND
 J7 (EXT. SPKR), WITH UNIT AT RATED LINE VOLTAGE.

12. DO NOT MIX BRANDS FOR Q14 - Q19.
 FOR PRODUCTION UNITS BUILT WITH ST TP 142-147 PARTS:
 USE 2.43K Ω (P/N 002160000) FOR R90-91
 FOR PRODUCTION UNITS BUILT WITH ONSEMI TP 142-147 PARTS
 USE 2.43K Ω (P/N 002763200) FOR R90-91
 TP57-59 VARY DEPENDENT ON SETTING
 OF LEVEL AND TIME/RATE CONTROLS.
 ADDITIONAL CONDITION FOR TP30-34:
 8 OHM RESISTIVE LOAD AT J7 (EXT. SPKR)
 (4 OHMS TOTAL LOAD IMPEDANCE)
 ADDITIONAL CONDITION
 DRIVE 2 (S2) IN, "RED"

THIS DOCUMENT CONTAINS INFORMATION OF A PROPRIETARY NATURE TO FENDER MUSICAL INSTRUMENTS AND IS SUBMITTED TO YOU IN CONFERENCE AND SHALL NOT BE DISCLOSED OR TRANSMITTED TO OTHERS WITHOUT AUTHORIZATION FROM FENDER MUSICAL INSTRUMENTS.

Fender MUSICAL INSTRUMENTS
 Corona, CA U.S.A.

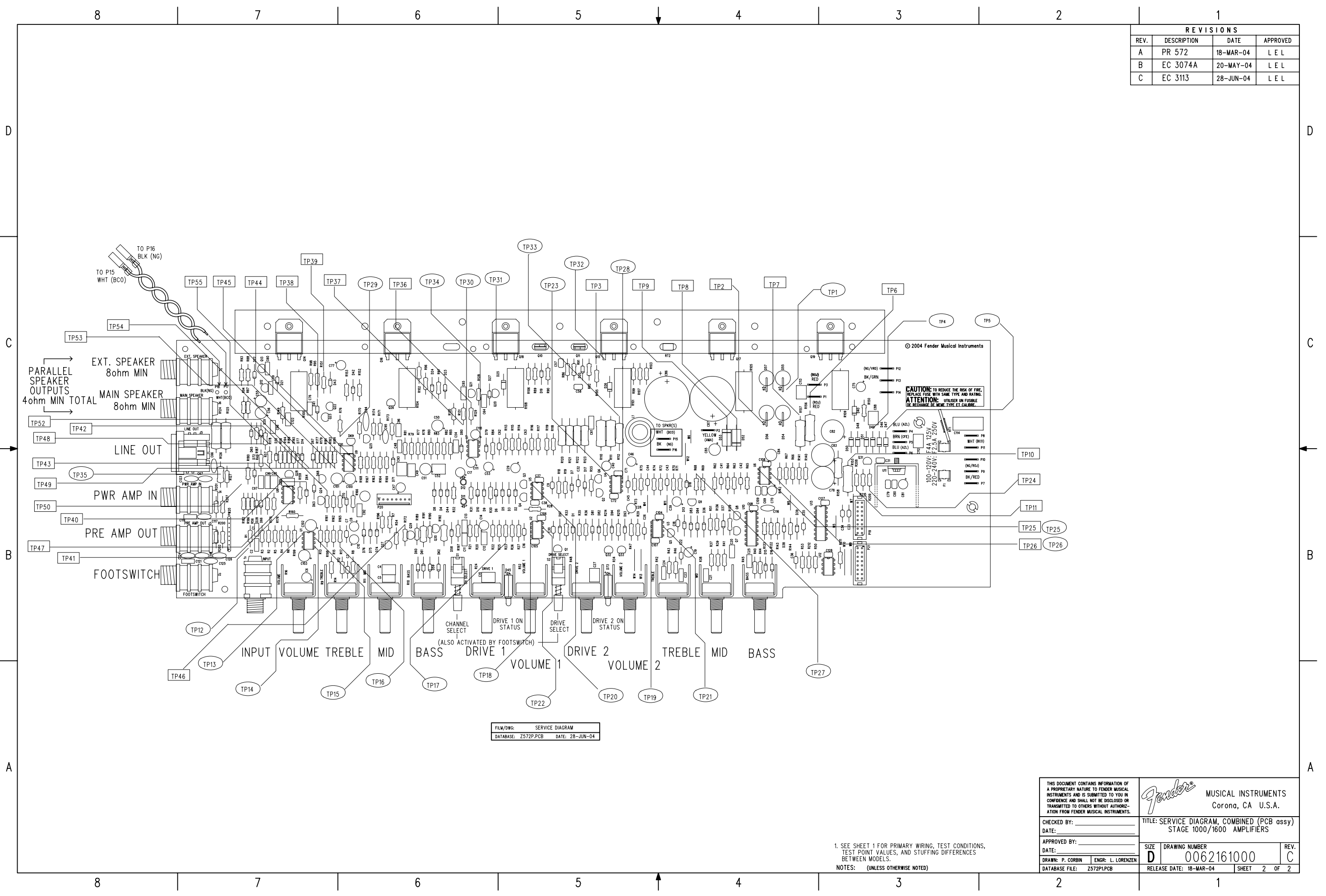
CHECKED BY: _____
 DATE: _____
 APPROVED BY: _____
 DATE: _____

TITLE: SERVICE DIAGRAM, COMBINED (schematic)
 STAGE 1000/1600 AMPLIFIER

SIZE: DRAWING NUMBER: _____
 D: 0062161000
 C

RELEASE DATE: 18-MAR-04 SHEET: 1 OF 2

REVISIONS			
REV.	DESCRIPTION	DATE	APPROVED
A	PR 572	18-MAR-04	L E L
B	EC 3074A	20-MAY-04	L E L
C	EC 3113	28-JUN-04	L E L

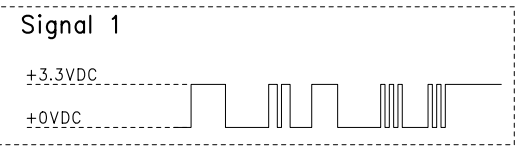
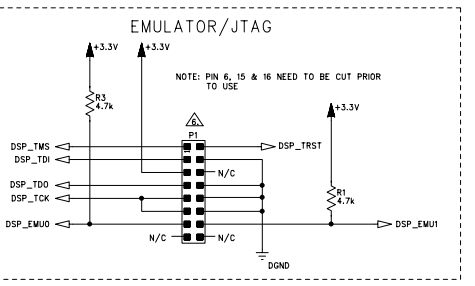
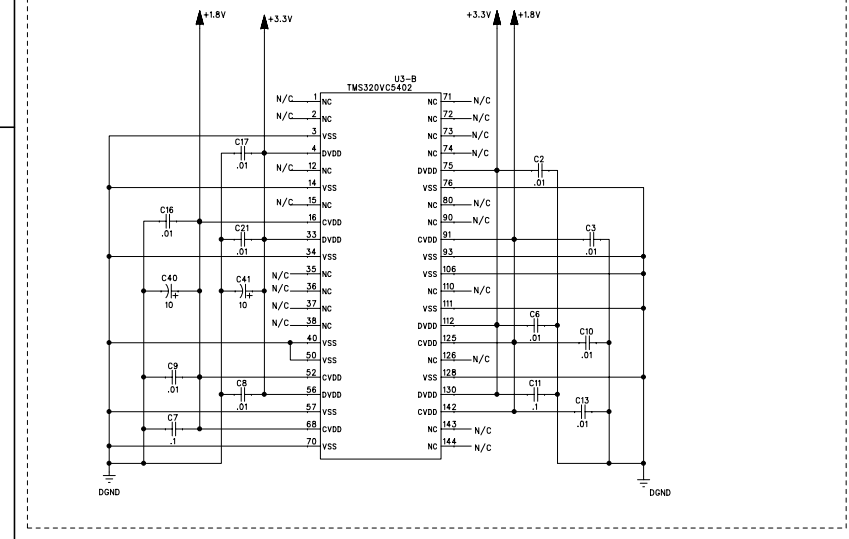
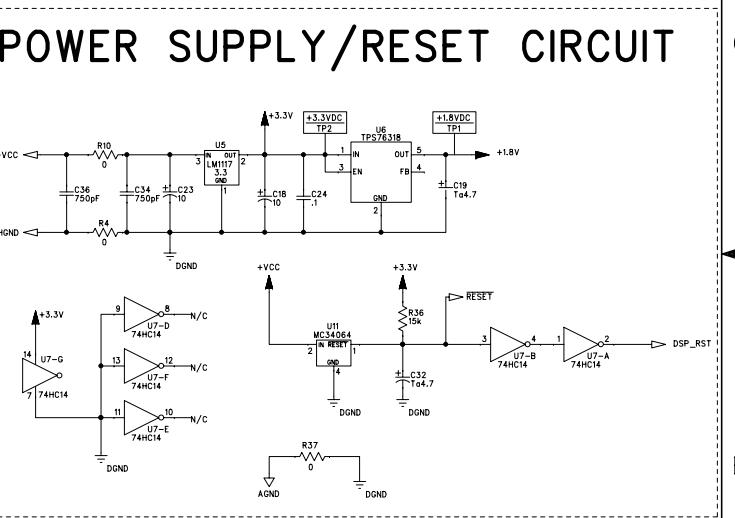
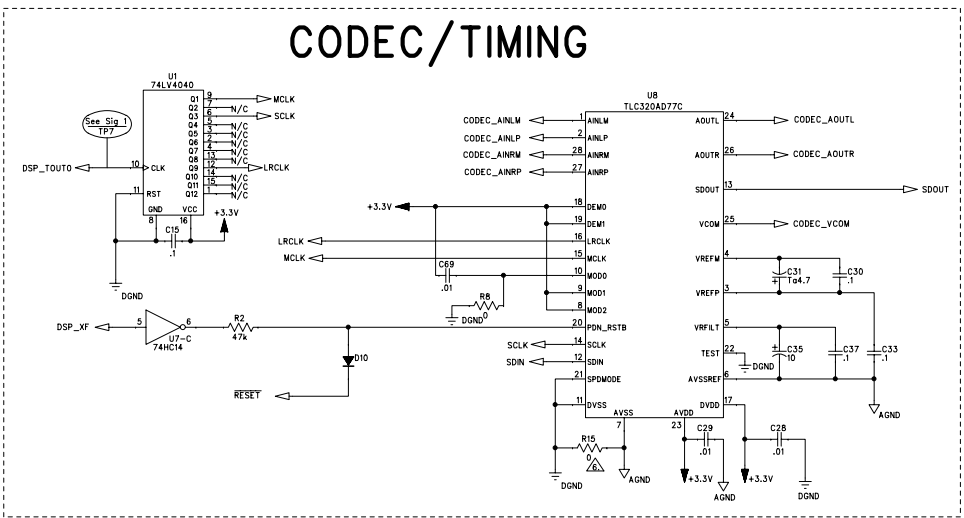
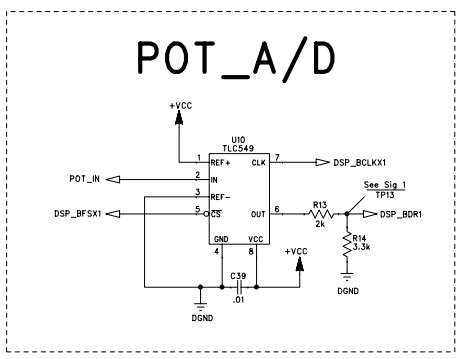
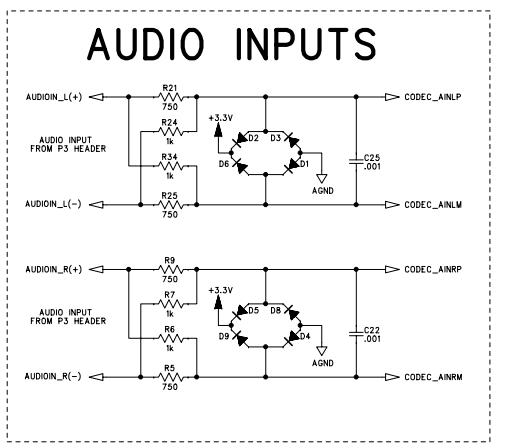
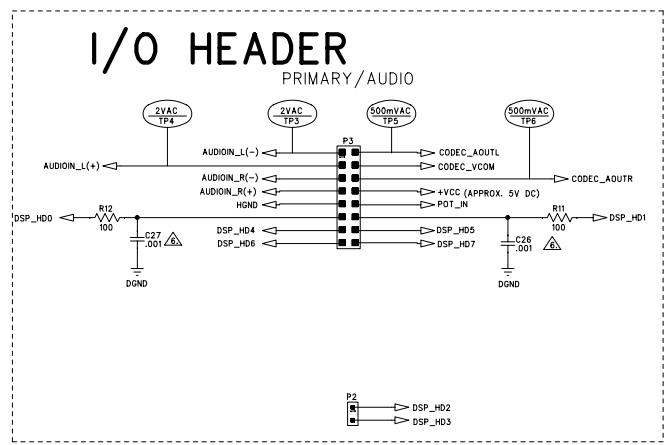
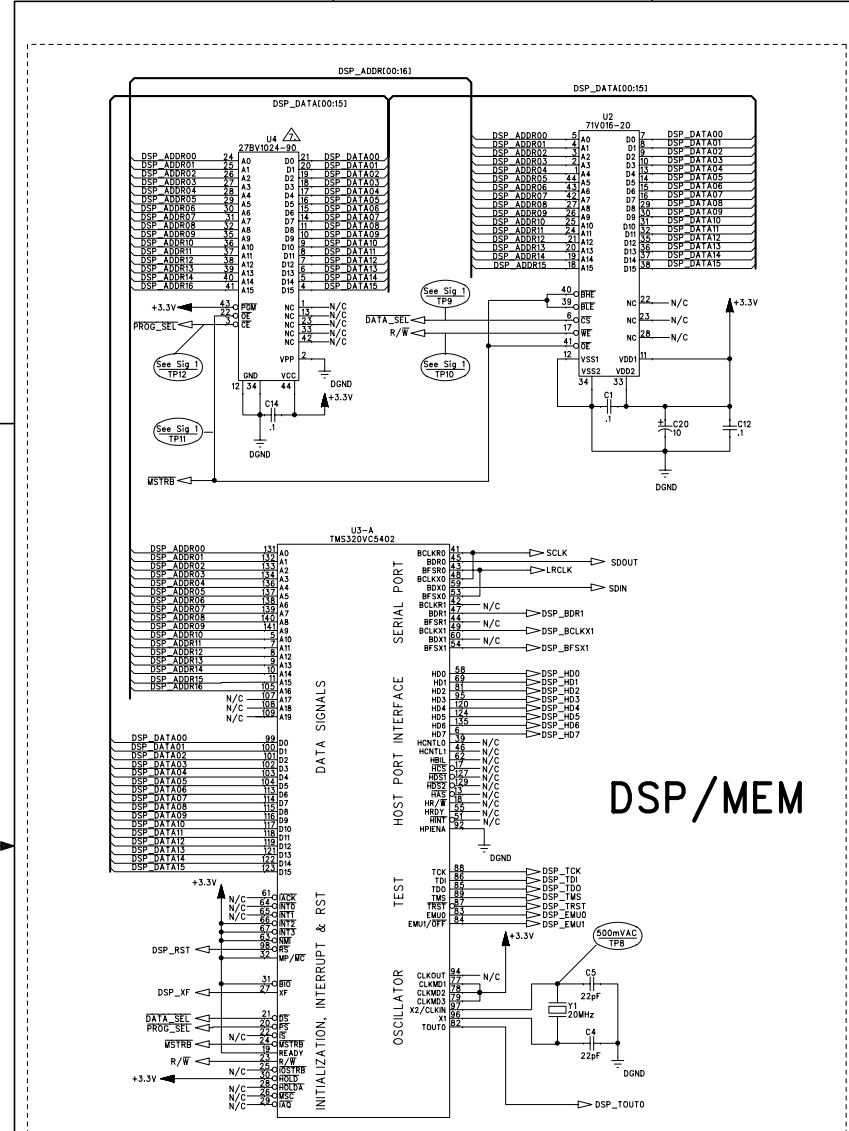


FILM/DWG: SERVICE DIAGRAM
 DATABASE: Z572P.PCB DATE: 28-JUN-04

1. SEE SHEET 1 FOR PRIMARY WIRING, TEST CONDITIONS, TEST POINT VALUES, AND STUFFING DIFFERENCES BETWEEN MODELS.
 NOTES: (UNLESS OTHERWISE NOTED)

THIS DOCUMENT CONTAINS INFORMATION OF A PROPRIETARY NATURE TO FENDER MUSICAL INSTRUMENTS AND IS LOANED TO YOU IN CONFIDENCE AND SHALL NOT BE DISCLOSED OR TRANSMITTED TO OTHERS WITHOUT AUTHORIZATION FROM FENDER MUSICAL INSTRUMENTS.		MUSICAL INSTRUMENTS Corona, CA U.S.A.	
CHECKED BY:	DATE:	TITLE: SERVICE DIAGRAM, COMBINED (PCB assy) STAGE 1000/1600 AMPLIFIERS	
APPROVED BY:	DATE:	SIZE: D	DRAWING NUMBER: 0062161000
DRAWN: P. CORBIN	ENGR: L. LORENZEN	REV. C	
DATABASE FILE: Z572P.PCB	RELEASE DATE: 18-MAR-04	SHEET 2 OF 2	

REVISIONS			
REV.	DESCRIPTION	DATE	APPROVED
A	PR480	29-NOV-01	J T L
B	EC 2743	07-MAR-02	J T L
C	EC 2789	10-JUN-02	J C S
D	PR542	25-APR-03	R J D



- NOTES: (UNLESS OTHERWISE NOTED)
- INSTALL IC IN SOCKET. FENDER P/N 0056585005
 - DO NOT STUFF C26-27, P1, R15.
 - THIS SCHEMATIC IS FOR PCB FABRICATION P/N 0057284000 AND PCB ASSEMBLY P/N 0057285000.
 - ALL DIODES ARE 1N4148.
 - ALL UNPOLARIZED CAPACITORS IN μ F, 20% OR BETTER; 16V MINIMUM. (POWER SUPPLY BYPASS CAPACITORS ARE 20%).
 - ALL RESISTORS IN OHMS, 5% 1/10W.

THIS DOCUMENT CONTAINS INFORMATION OF A PROPRIETARY NATURE TO FENDER MUSICAL INSTRUMENTS AND IS SUBMITTED TO YOU IN CONFERENCE AND SHALL NOT BE DISCLOSED OR TRANSMITTED TO OTHERS WITHOUT AUTHORIZATION FROM FENDER MUSICAL INSTRUMENTS.

Fender MUSICAL INSTRUMENTS
Corona, CA U.S.A.

CHECKED BY: _____
DATE: _____

APPROVED BY: _____
DATE: _____

DRAWN: J. Jimenez ENGR: J. Lamb
DATABASE FILE: Z4815.SCH

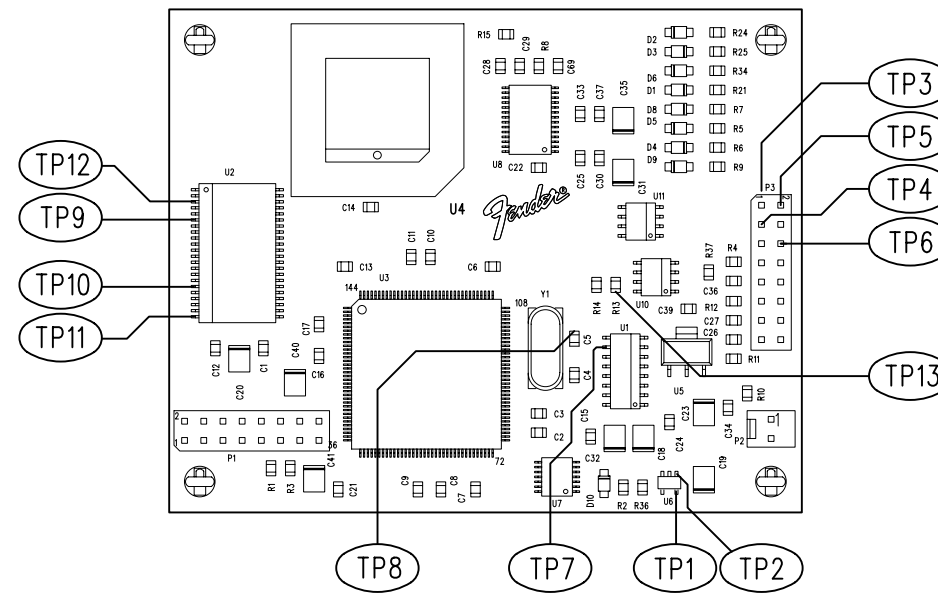
TITLE: SERVICE DIAGRAM, COMBINED (schematic) MICRO DSP

SIZE: **D** DRAWING NUMBER: **0057283000** REV. **D**

RELEASE DATE: 29-NOV-01 SHEET: 1 OF 2

REVISIONS


REV.	DESCRIPTION	DATE	APPROVED
A	PR480	30-NOV-01	J T L
B	EC 2743	07-MAR-02	J T L
C	EC 2789	10-JUN-02	J C S
D	PR542	25-APR-03	R J D



FILM/DWG: SERVICE DIAGRAM
 DATABASE: Z481P.PCB DATE: 25-APR-03

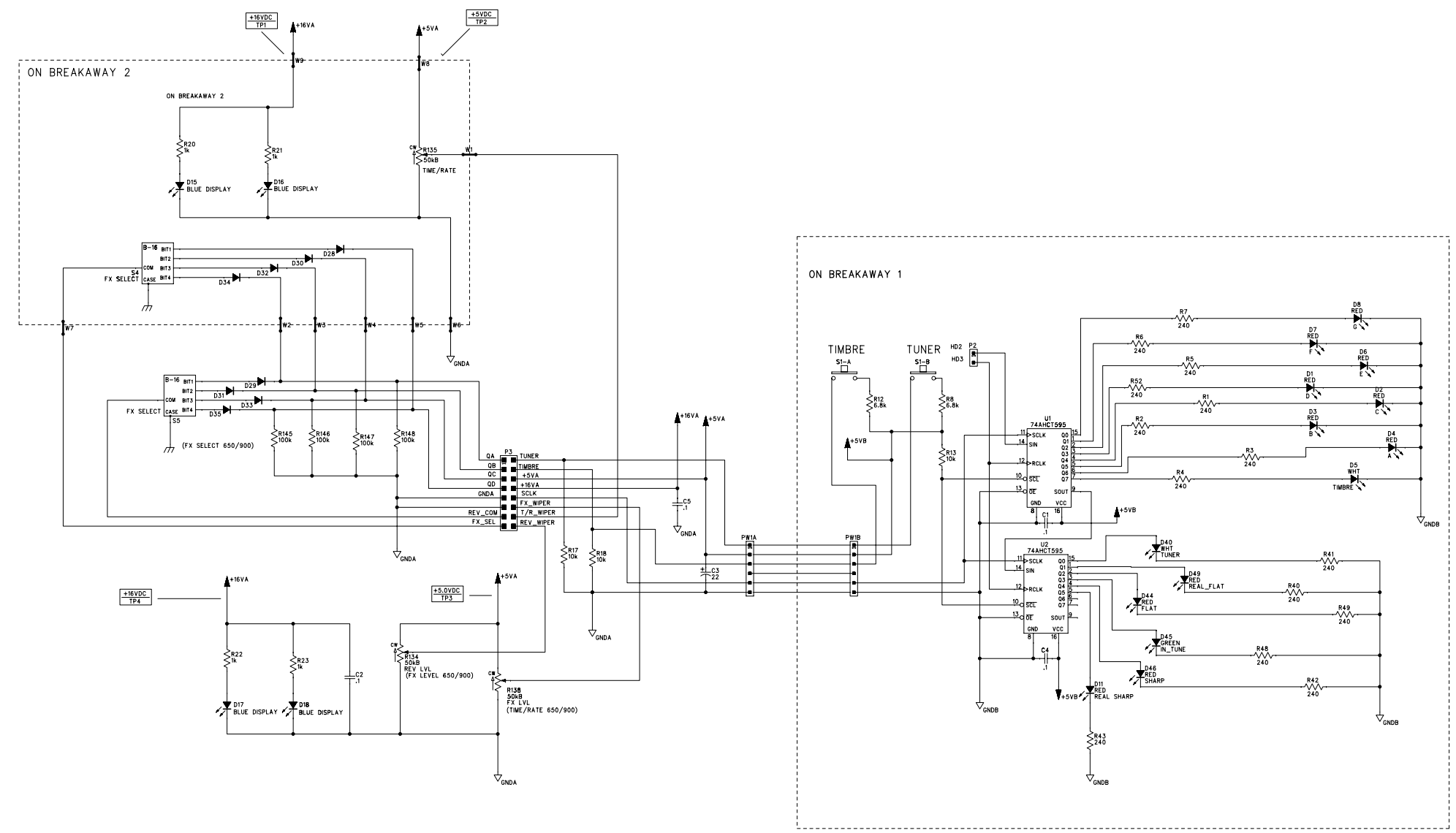
1. SEE SHEET 1 FOR TEST CONDITIONS AND TEST POINT VALUES.

NOTES: (UNLESS OTHERWISE NOTED)

THIS DOCUMENT CONTAINS INFORMATION OF A PROPRIETARY NATURE TO FENDER MUSICAL INSTRUMENTS AND IS SUBMITTED TO YOU IN CONFIDENCE AND SHALL NOT BE DISCLOSED OR TRANSMITTED TO OTHERS WITHOUT AUTHORIZATION FROM FENDER MUSICAL INSTRUMENTS.		 MUSICAL INSTRUMENTS Corona, CA U.S.A.	
CHECKED BY: _____ DATE: _____		TITLE: SERVICE DIAGRAM, COMBINED (PCB assy) uDSP SERIES	
APPROVED BY: _____ DATE: _____		SIZE B	DRAWING NUMBER 0057283000
DRAWN: J. Jimenez	ENGR: J. Lamb	REV. D	
DATABASE FILE: Z481P.PCB		RELEASE DATE: 30-NOV-01	SHEET 2 OF 2

8 7 6 5 4 3 2 1

REVISIONS			
REV.	DESCRIPTION	DATE	APPROVED
A	PR572	16-MAR-04	LEL



D
C
B
A

D
C
B
A

8 7 6 5 4 3 2 1

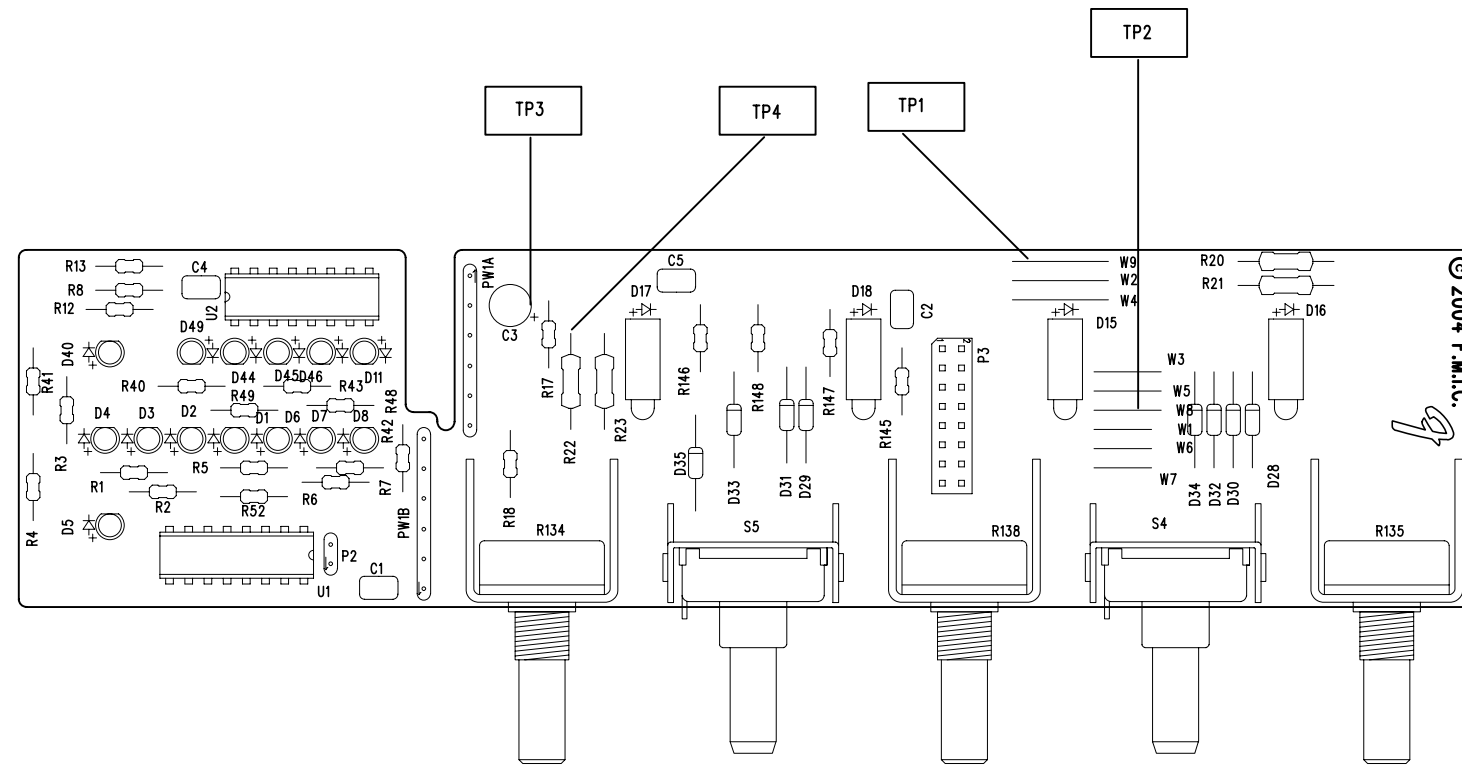
- 7. ALL VOLTAGES ARE +/- 10%
- 6. ITEMS ON BREAKAWAY 2 ARE NOT STUFFED FOR PRINCETON 650 AND DELUXE 900
- 5. THIS SCHEMATIC IS FOR PCB FABRICATION P/N 005536000 AND PCB ASSEMBLIES P/N 0055367000 and 0064106000.
- 4. ALL DIODES ARE 1N4448.
- 3. ALL POLARIZED CAPACITORS IN uF, 20%: 50V MINIMUM.
- 2. ALL UNPOLARIZED CAPACITORS IN uF, 10% OR BETTER; 50V MINIMUM. (POWER SUPPLY BYPASS CAPACITORS ARE 20%).
- 1. ALL RESISTORS IN OHMS, 5%; 1/4W.

NOTES: (UNLESS OTHERWISE NOTED)

<small>THIS DOCUMENT CONTAINS INFORMATION OF A PROPRIETARY NATURE TO FENDER MUSICAL INSTRUMENTS AND IS SUBMITTED TO YOU IN CONFERENCE AND SHALL NOT BE DISCLOSED OR TRANSMITTED TO OTHERS WITHOUT AUTHORIZATION FROM FENDER MUSICAL INSTRUMENTS.</small>		MUSICAL INSTRUMENTS Corona, CA U.S.A.	
CHECKED BY:	DATE:	TITLE: SERVICE DIAGRAM, COMBINED (schematic) TUNER/TIMBRE DISPLAY PCB	
APPROVED BY:	DATE:	SIZE: D	DRAWING NUMBER: 0054426000
DRAWN: LORENZEN ENGR: LORENZEN		REV. A	
DATABASE FILE: Z572P25.SCH		RELEASE DATE: 16-MAR-03	SHEET: 1 OF 2


REVISIONS

REV.	DESCRIPTION	DATE	APPROVED
A	PR572	16-MAR-04	L.E.L.



FILM/DWG: SERVICE DIAGRAM
 DATABASE: Z572P2.PCB DATE: 16-MAR-04

NOTES: (UNLESS OTHERWISE NOTED)

THIS DOCUMENT CONTAINS INFORMATION OF A PROPRIETARY NATURE TO FENDER MUSICAL INSTRUMENTS AND IS SUBMITTED TO YOU IN CONFIDENCE AND SHALL NOT BE DISCLOSED OR TRANSMITTED TO OTHERS WITHOUT AUTHORIZATION FROM FENDER MUSICAL INSTRUMENTS.		 MUSICAL INSTRUMENTS Corona, CA U.S.A.	
CHECKED BY: _____ DATE: _____		TITLE: SERVICE DIAGRAM, COMBINED (PCB assy) TUNER/VOICE DISPLAY PCB	
APPROVED BY: _____ DATE: _____		SIZE B	DRAWING NUMBER 0054426000
DRAWN: PCORBIN ENGR: LORENZEN	DATABASE FILE: Z572P2.PCB	RELEASE DATE: 16-MAR-04	REV. A SHEET 2 OF 2